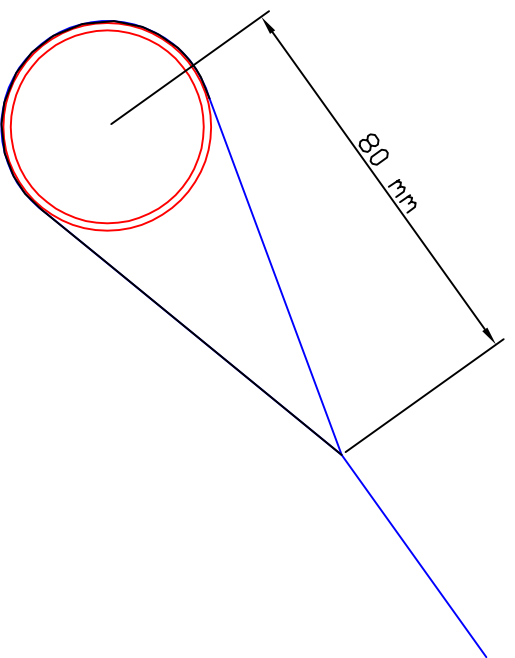
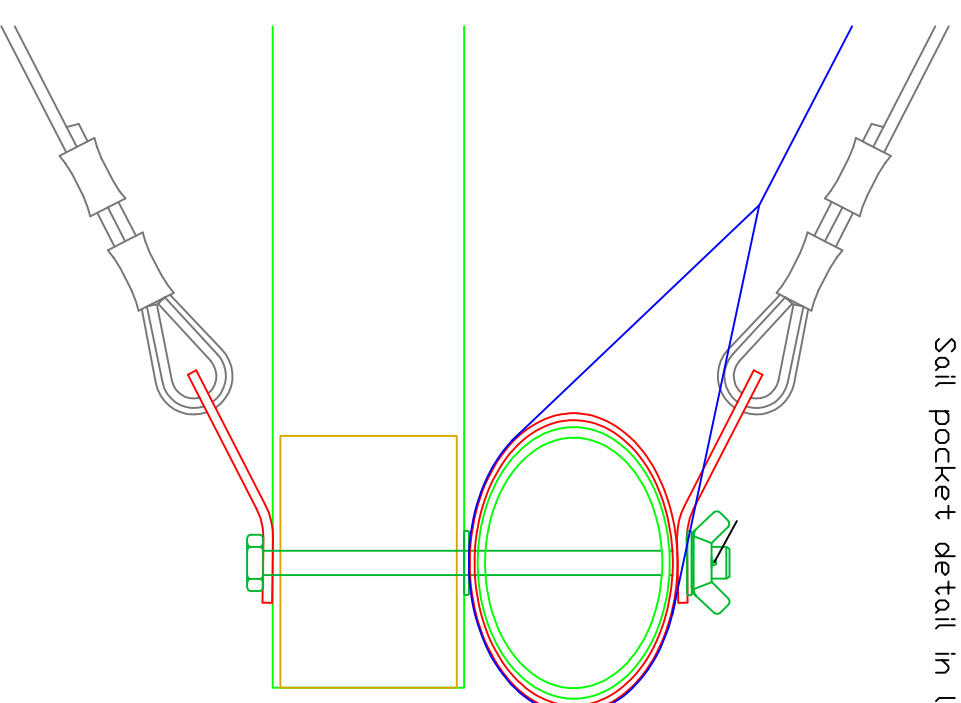
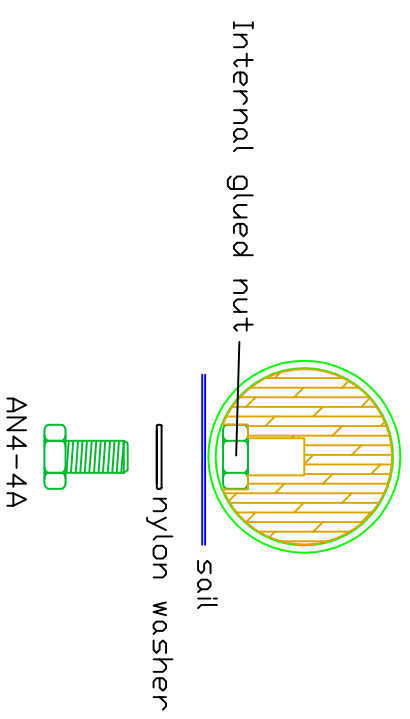


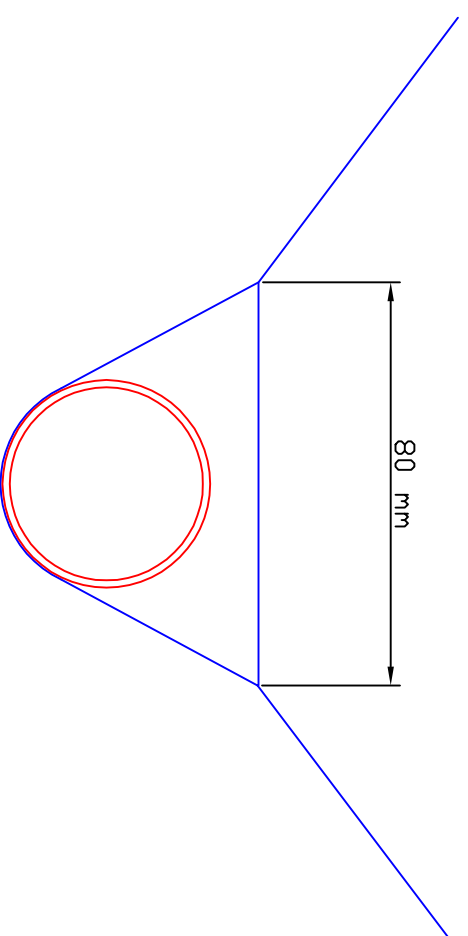
SAIL-FRAME DETAILS

Sail pocket detail in leading edge - crossbar union

Sail end fixation



Leading edge sail pocket



Keel sail pocket