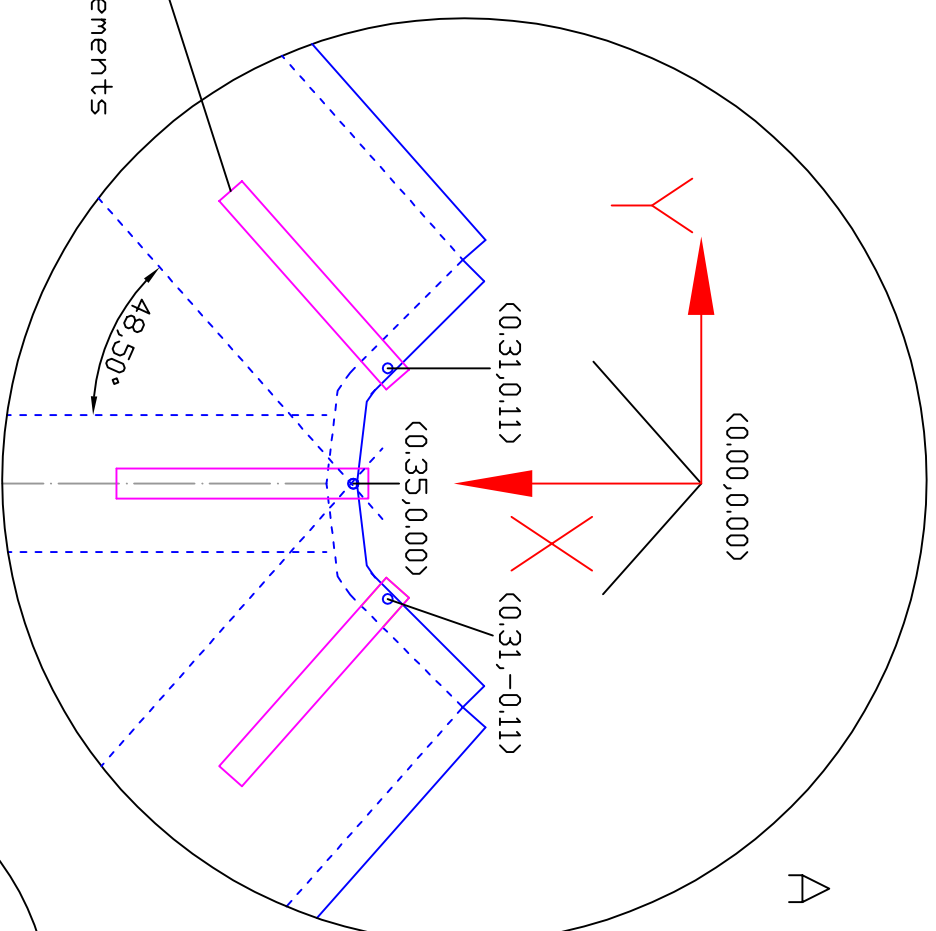
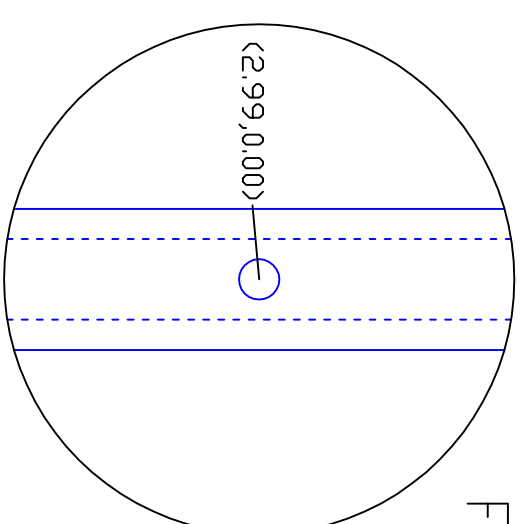


B

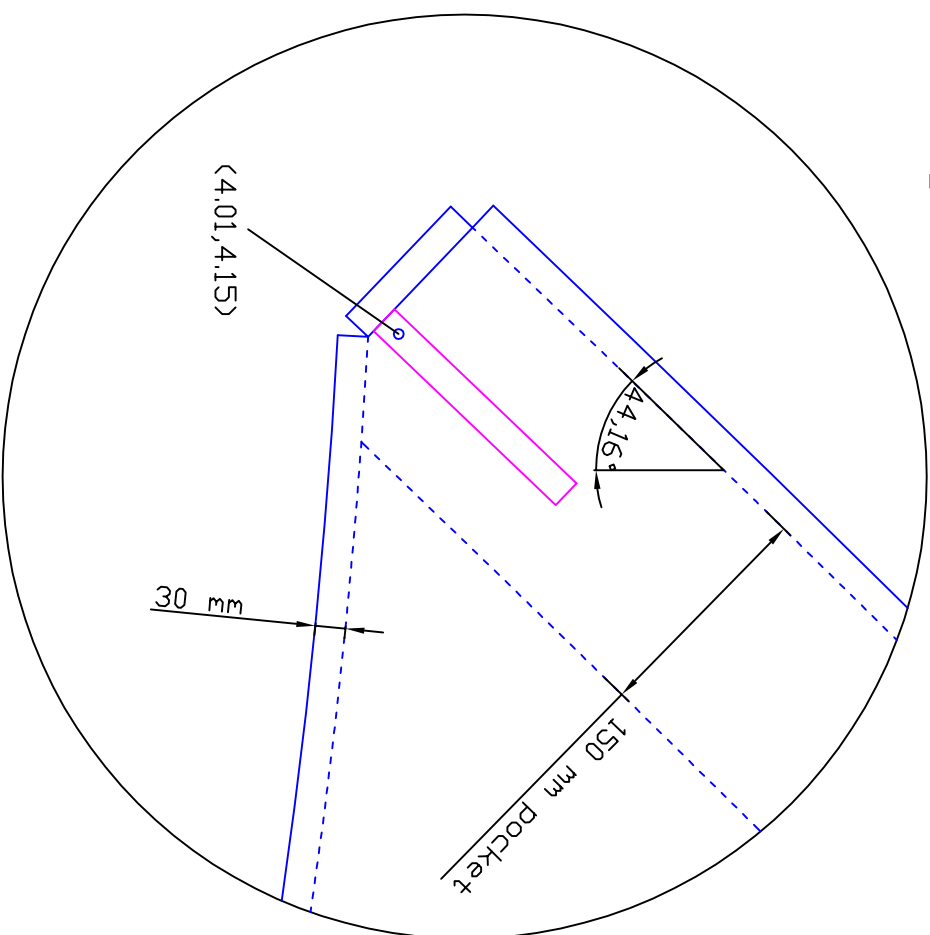


A

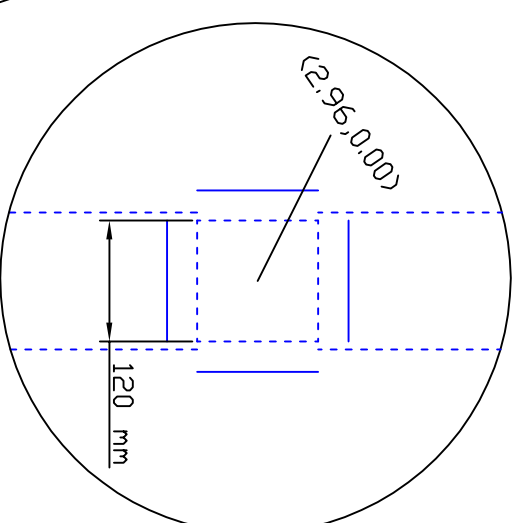


F

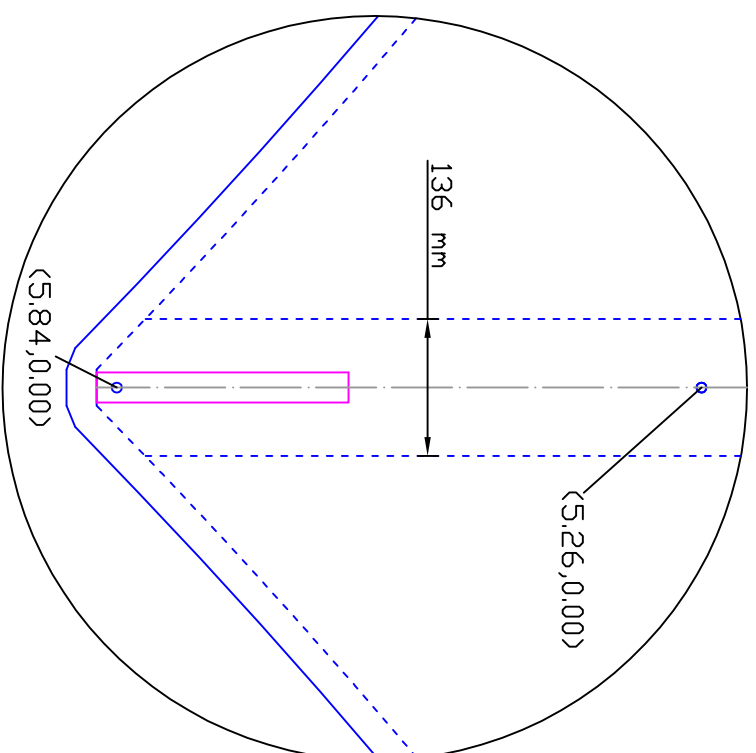
polyester reinforcements  
30 mm x 250 mm



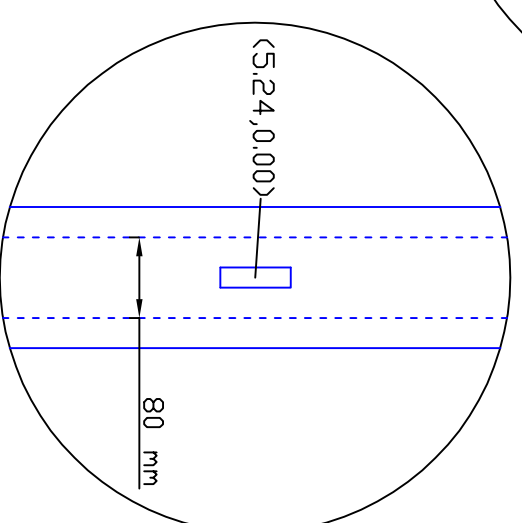
C



D



E



G